

# 3000 Series CASTORS

**UP TO  
3000KG**

This Extra Heavy Duty range has been precisely engineered and custom built to excel under the hardest conditions.

Richmond's 3000 Series picks up applications that our 1000 Series cannot. Increased towing capacity and towing speed, increases the possibility for rolling solutions for the most arduous of towing applications.

Load Capacity up to 3T



S10902



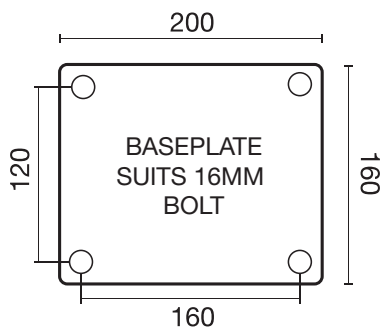
Diameter (mm)	Width (mm)	Wheel Type	Wheel Code	Bearing Type	Load Capacity	Height (mm)	Swivel Radius	Rigid Code	Swivel Code	
200	76	Poly	PU823	Ball	2000	260	167	R8905	S8904	☺
200	76	SG Iron	SG834	Ball	2000	260	167	R8903	S8902	
250	76	Poly	PU1029	Ball	2500	310	190	R10905	S10904	☺
250	76	SG Iron	SG1040	Ball	3000	310	190	R10903	S10902	
250	70	Solid Pneumatic	SN1005	Ball	260	310	190	R10909	S10908	☺
250	100	Poly	PU1048	Ball	3000	310	190	R10913	S10912	☺
300	76	Poly	PU1217	Ball	3000	364	228	R12905	S12904	☺
300	85	Solid Pneuematic	SN1295	Ball	540	364	228	R12909	S12908	☺
300	100	Poly	PU1224	Ball	3000	364	228	R12913	S12912	☺
400	100	Solid Pneumatic	SN1612	Ball	950	462	293	R16901	S16902	☺
400	100	Pneumatic	PN1616	Ball	300	462	293	R16903	S16904	☺

## BRAKE OPTIONS: B = Brake D = 4 Way Directional Lock

To order castors with Brake or 4 Way Directional Lock add B or D to end of swivel code e.g. S8904B

☺ denotes towable castors. Add OP to the end of the castor code to specify Optional Baseplate e.g. s89040P

### Standard baseplate dimensions & drilling patterns for 3000 Series castors



### Optional baseplate dimensions & drilling patterns for 3000 Series castors

