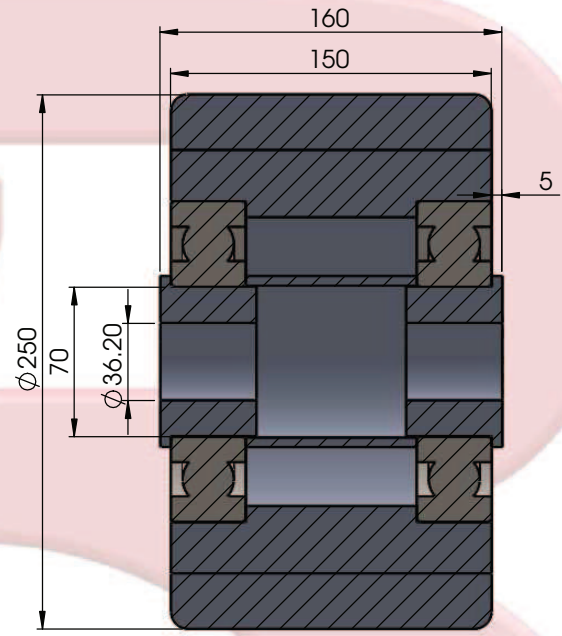
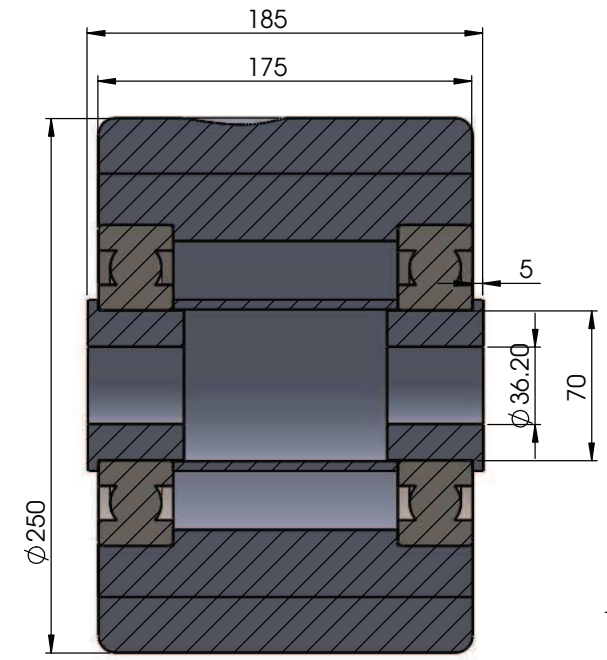


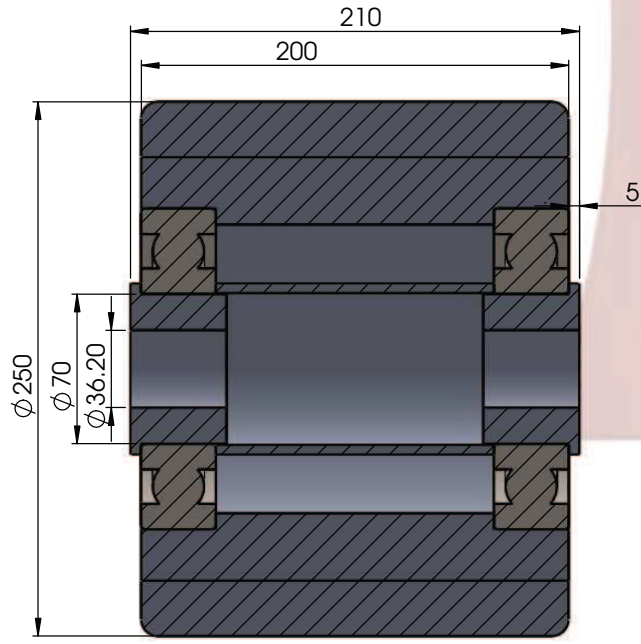
PUST250X100



PUST250X150



PUST250X175



PUST250X200

**PROPRIETARY AND CONFIDENTIAL**  
 THE INFORMATION CONTAINED IN THIS DRAWING IS THE SOLE PROPERTY OF Richmond Wheel & Castor Co. ANY REPRODUCTION IN PART OR AS A WHOLE WITHOUT THE WRITTEN PERMISSION OF Richmond Wheel & Castor Co. IS PROHIBITED.

	NAME	SIGNATURE	DATE
DRAWN	BREON	BWM	14/10/2019
CHKD	SY	SY	14/10/2019
APPVD	RAY	RW	14/10/2019
MFG	SY	SY	14/10/2019
Q.A	BARRY	BN	14/10/2019
UNLESS OTHERWISE SPECIFIED: DIMENSIONS ARE IN MILLIMETERS TOLERANCES TO 0.25MM		DEBUR AND BREAK SHARP EDGES	



**CUSTOMER APPROVAL:**

COMPANY:		
SALES PERSON:		
NAME:		
SIGN:		
DATE:		
DO NOT SCALE DRAWING	REVISION	FINISH:

TITLE:  
**RICHMOND WHEEL & CASTOR CO.**  
 DWG. NO. PU TYRED STEEL CENTRE WHEELS 250MM

A3

WEIGHT:

SHEET 9 OF 13