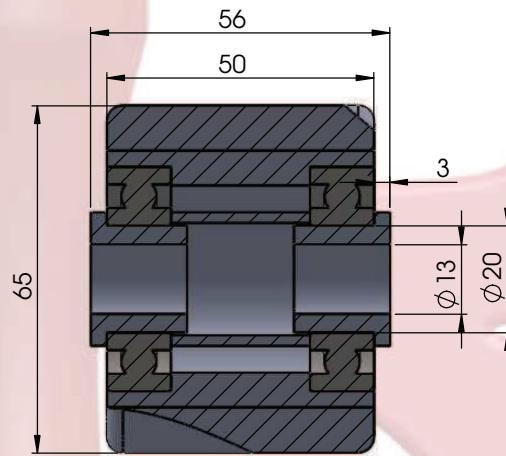
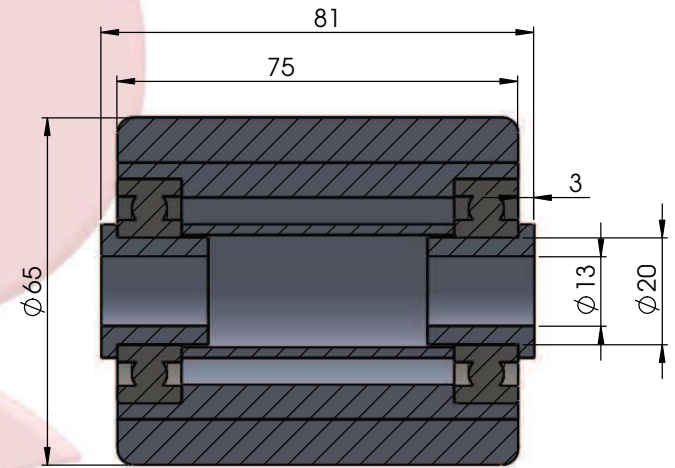


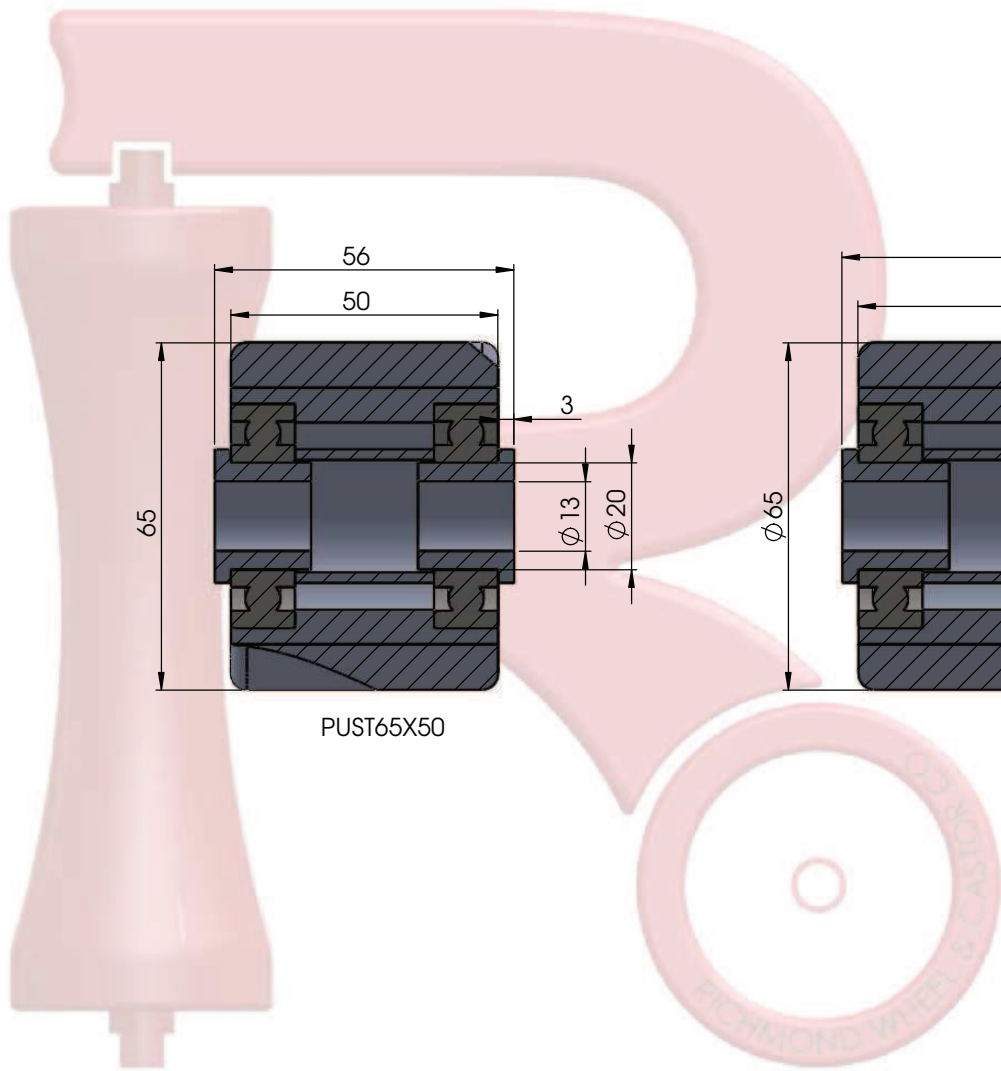
PUST65X30



PUST65X50



PUST65X75



CUSTOMER APPROVAL:

COMPANY: _____
 SALES PERSON: _____
 NAME: _____
 SIGN: _____
 DATE: _____

| | | |
|----------------------|----------|---------|
| DO NOT SCALE DRAWING | REVISION | FINISH: |
|----------------------|----------|---------|

PROPRIETARY AND CONFIDENTIAL
 THE INFORMATION CONTAINED IN THIS DRAWING IS THE SOLE PROPERTY OF Richmond Wheel & Castor Co. ANY REPRODUCTION IN PART OR AS A WHOLE WITHOUT THE WRITTEN PERMISSION OF Richmond Wheel & Castor Co. IS PROHIBITED.

| | NAME | SIGNATURE | DATE |
|--------|-------|-----------|------------|
| DRAWN | BREON | BWM | 14/10/2019 |
| CHK'D | SY | SY | 14/10/2019 |
| APPV'D | RAY | RW | 14/10/2019 |
| MFG | SY | SY | 14/10/2019 |
| Q.A | BARRY | BN | 14/10/2019 |

UNLESS OTHERWISE SPECIFIED: DIMENSIONS ARE IN MILLIMETERS TOLERANCES TO 0.25MM



TITLE:
RICHMOND WHEEL & CASTOR CO.

DWG NO. PU TYRED STEEL CENTRE WHEELS 65MM

A3

WEIGHT:

SHEET 1 OF 13