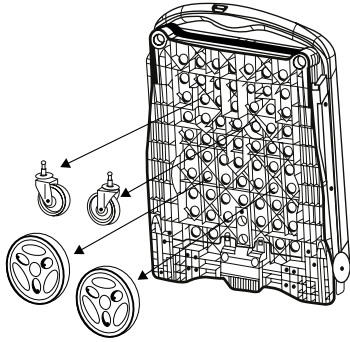


### Setting up the KartR

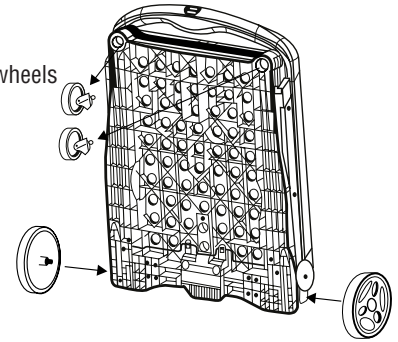
#### Step 1

To begin, remove all 4 wheels from the bottom of the platform.



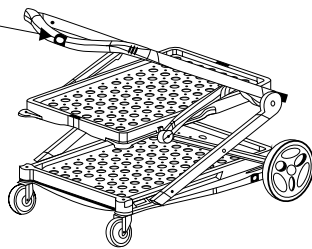
#### Step 2

Insert wheels as shown in diagram. You will hear the wheels click into place.



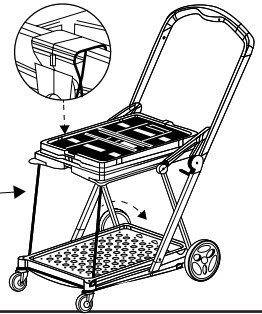
#### Step 3

To expand the trolley, push the button located on the handle and pull upwards. You can now lock the handle in 2 different positions.



#### Step 4

Place the basket onto the upper deck and fix it into position using the pull-cord straps. To do this, pull the cords out and place on the top rim of the basket as shown.

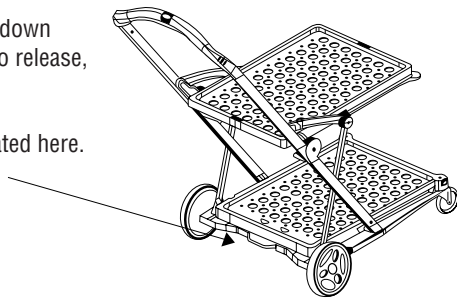


If required, you can also use the fold-down support bars to increase load capacity of the upper deck.

### Using the Brake

To use the brake, push down gently with your foot. To release, pull up with your foot.

Foot pedal brake is located here.



### Raising the Top Platform

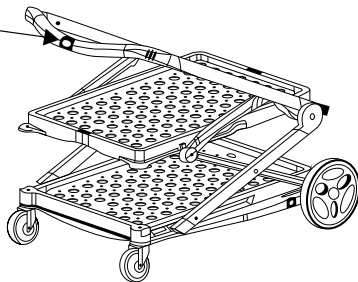
For transporting larger goods you can pull the top platform up. The basket may also be used on the bottom platform.



### Collapsing the KartR

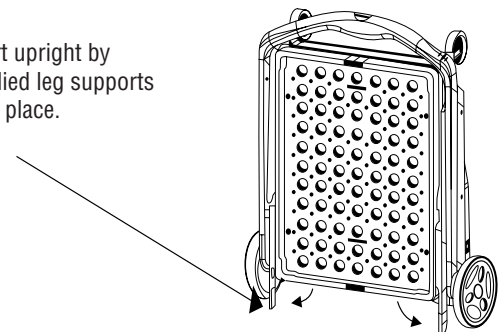
#### Step 1

To collapse, push down on the button located in the handle of the cart. The cart will then fold down.



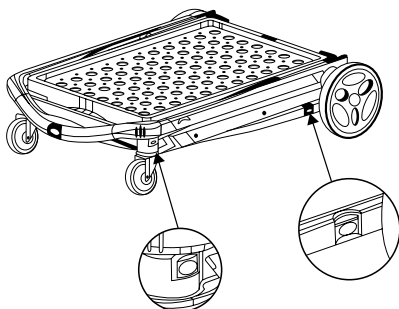
#### Step 2

You may stand the cart upright by pulling out the 2 supplied leg supports and clicking them into place.



#### Step 3

To remove the wheels, press down on the button located at the top of each wheel.



**Total Cart Capacity:** 100kg  
**Top Platform Capacity:** 50kg  
**Bottom Platform Capacity:** 50kg  
**Unit Weight:** 10kg

#### Step 4

To store the wheels, clip back into place under the platform.

