



ENGINEERING SERVICES

R **RICHMOND**
WHEEL & CASTOR CO

1300 474 246 engineering@richmondau.com

ENGINEERING SERVICES ● ○ ●

At Richmond we can offer so much more than our standard range. For decades we have specialised in working with our customers to solve simple to highly complex engineering challenges, specialising in material handling applications. Our key advantage is our engineering department and very capable manufacturing facility based in Melbourne. Here we offer completely commitment free consultation with customers who are ultimately looking to procure a manufactured product and/or solution for a project. Our purchasing team are also capable of procuring products internationally if suited.

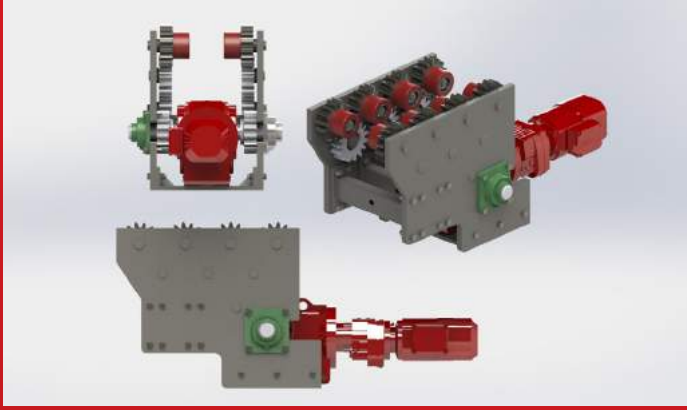
What we can offer:

- Unlike many manufacturers we welcome collaboration with our customers. If you have an idea, concept or basic drawing we are happy to work together to draft the product in 3D and offer design input if desired before quoting to supply. Need a supplier for a new product? We can assist from start to finish.
- If you have a finished product design you require to be manufactured we can quickly quote to supply it.
- We are happy to work together with our customers to assist with any size project scope. If you require some minor components for a large project, we can help. If you would like design input, costings on multiple solution options, design analysis, one component or 1000 components it's no problem. We are happy to be involved in a small or large scope of a project. Whatever aspect of a project needs smart, experienced engineering and manufacturing capabilities we can fill that space.
- Our Melbourne factory offers extensive precision CNC machining and fabrication capabilities. With a wide variety of machines and fabrication facilities in house, combined with additional support (when required) from our local manufacturing network, **Whatever you require built we can build it.** We have been collaborating with our network for over 60 years.

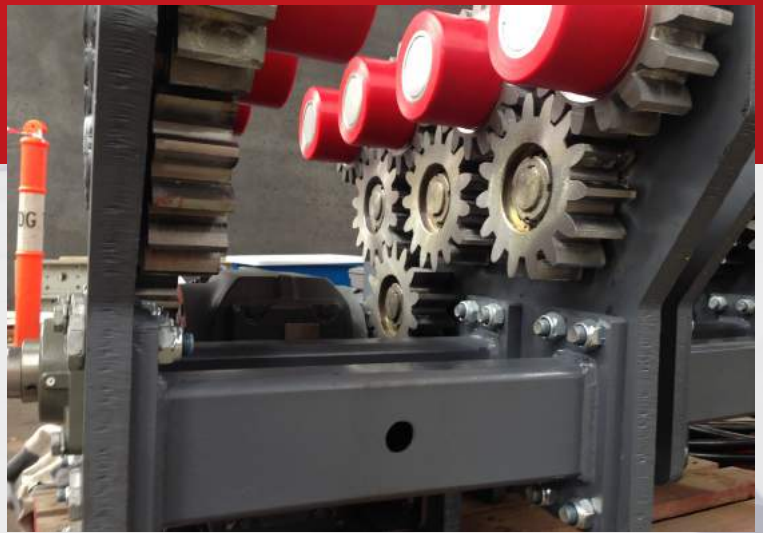
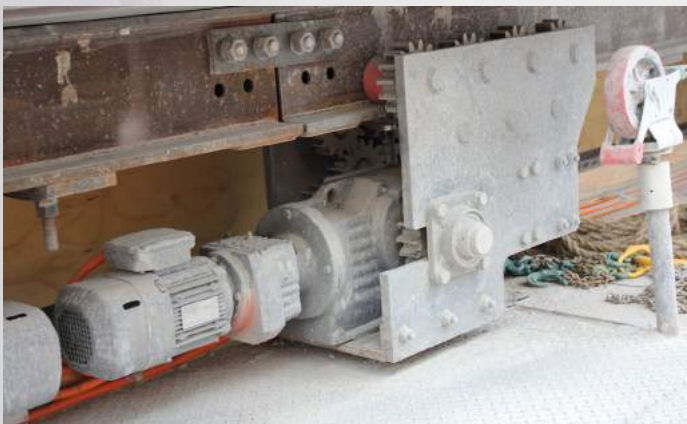
All our work is backed by our in house Quality Assurance program and ISO9001 accreditation. As a Family Owned business, we have been working with our customers to solve problems and manufacture solutions for over 60 years. Get in touch to talk about your project.



SOME EXAMPLES OF OUR WORK ● ○ ●



55 ton Demolition Platform



Traction Drive Systems

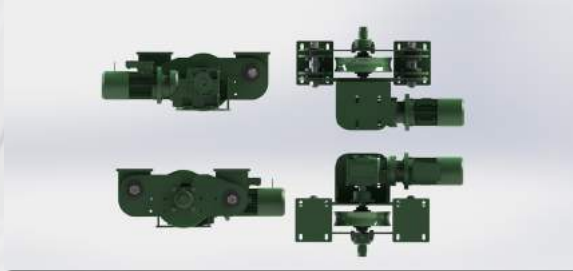
Complete design and supply of load bearing and critical structural beam fabrication for a 50ton, 40m long construction platform used for road widening works in Melbourne Australia.

Works included complete design and build of 2 x 10 ton capacity 55 ton tractional drive capacity (up 1.5 deg incline) girder trolleys. All work including precision module 10 CNC gear cutting, electrical, and design of 38 gears 16 wheel traction drive system done in house.





Camden Signs Bellerive Oval Sight Screen



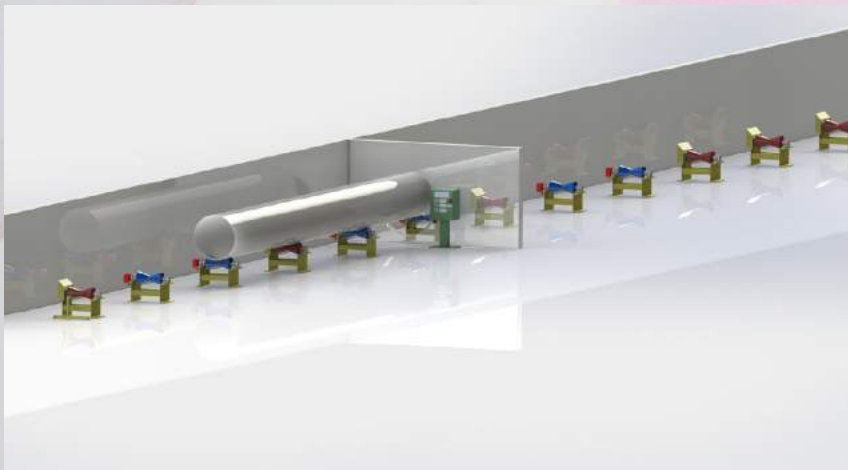
Complete plug and play traction drive and support solution for 2 x removable cricket ground sight screen system in Hobart Australia with electronic display screens. All support and traction drive system designed and built by Richmond Engineering in-house (shown in green) with fabrication (shown in yellow) completed separately. Services included design collaboration and integration of support system with existing track design, complete build and install.





AS Clear Pipe Transfer Conveyor System

Complete linear pipeline conveyor system for efficient transfer of 100mm up to 1000mm pipes from sandblasting to painting facilities. This project eliminated all crane handling of pipes between facilities and increased productivity. 6 x idler roller and 6 x gear motor driven assemblies were used to facilitate pipe transfer. Services included complete design, integration into workshop space, all manufacturing works and electrical install of system. A simple efficient roll-on solution to load sand blasted pipes.



Evaporation Pond Covers Drive and Support System

The project scope includes design and supply of a traction drive system to drive a 30 ton fabric structure forwards and backwards on a track to cover or expose an evaporation pond based on seasonal rain conditions. The scope also included design and supply of heavy duty double flange wheels for load carrying support of the structure, supply of the complete electrical system to run power to drives through energy chain cable management system; and also supply power to normal and emergency lighting for the illumination of the moving structure.





Custom Turning Roller Products

As well as being wheel making experts, Richmond Engineering specialises in complete design and supply of tractional gear motor drive systems. From small solutions to super heavy duty drive systems, we can custom build a tractional rotational system to suit your requirements. From temporary systems for pipe joining to permanent 24hr rotational drive systems, we can connect the dots ensuring your application has the correct wheels, bearings, gear motor and electrical circuit to suit your requirements whatever they may be.

From recycling machinery, heavy pipe cutting and welding machines, to rotary barrel processing equipment, if you need a tractional drive solution we can help.

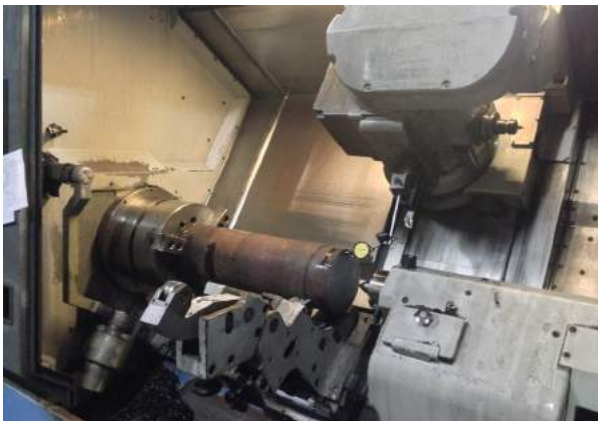
Example of a custom tractional drive system; completed in January 2016, 2x 250ton tractional drive capacity, 75ton load capacity, driven kits were supplied with 2 x idler roller assemblies for the welding together of 5.5m diameter pipes for a large recycling plant. Each drive kit featured direct drive through variable speed drive gear motors operated through a touch screen on the electrical cabinet. Start stop & estop functions supplied on 50m long hand held lead with conduit protection for rotation control by welders operating inside the large pipe.



Downer 250 ton Digester Turning Roller Kits



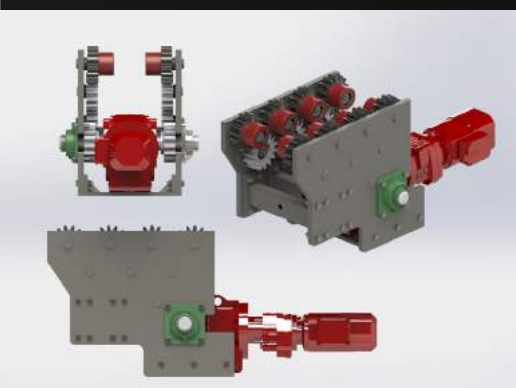
Deep Sea Drilling Support Rollers





**Whatever your project.
Whether it's simply design,
design and supply, or complete
project management**

Let's see how we can help.



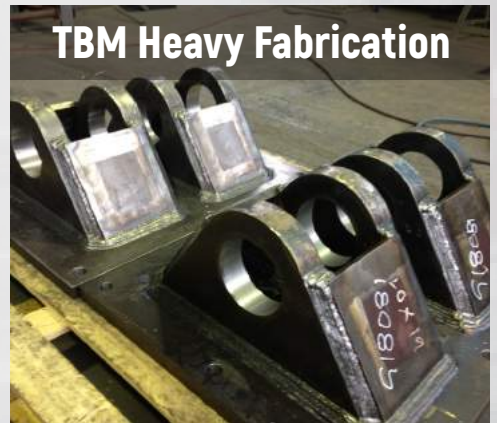
R **RICHMOND**
© **WHEEL & CASTOR CO**



Tunnel Boring Machine Support Bogies and Accessories



Heavy Duty Wheel Chock



TBM Heavy Fabrication





Pipe Transport Rail Bogies

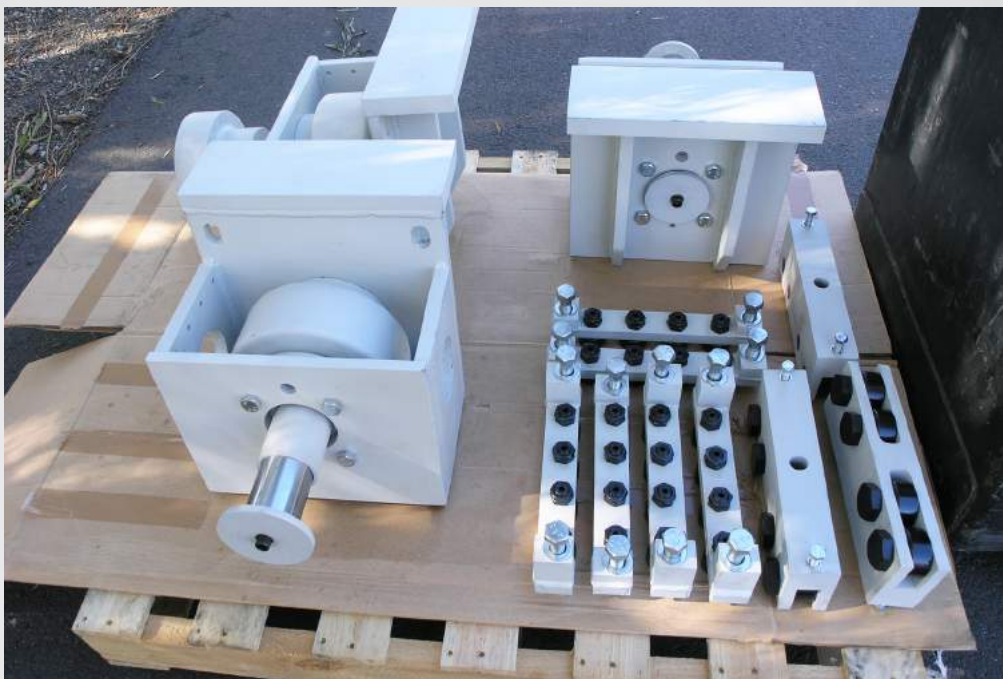




Super Heavy Duty Wheel & Axle Kits for Every Possible Capacity and Application



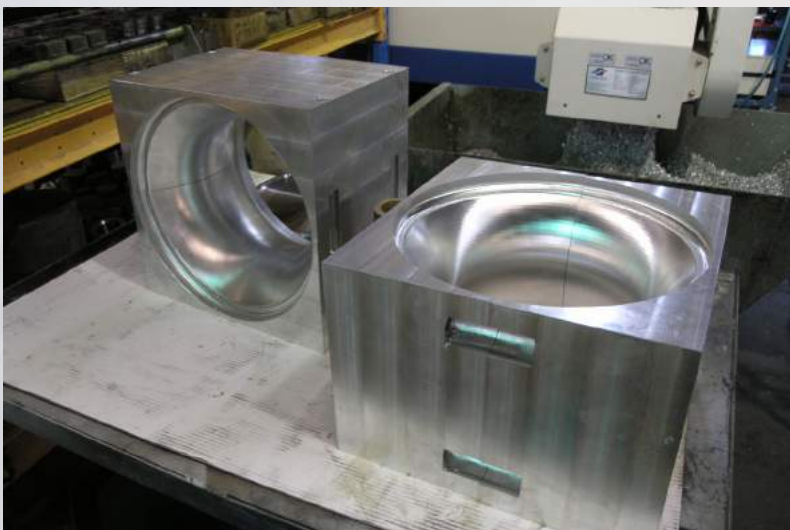
ANU Solar Dish Support Wheels & Accessories





Kiewit Onshore to Offshore Pipe Transport Bogies

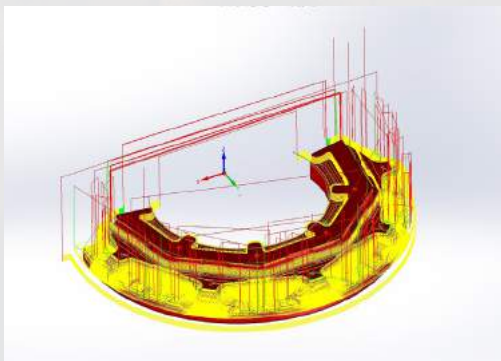
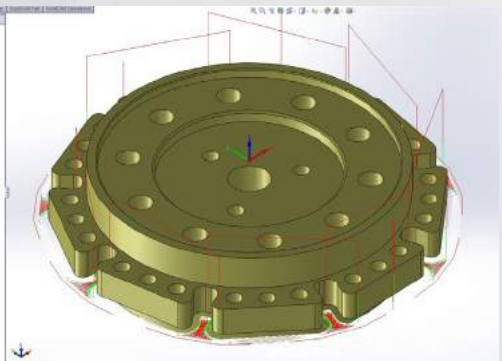




AS Lucas Group Pipe Rollers



Raymond Island Ferry Chain Drive Wheel





Gekko Systems Shrink Fitted Double Flange Wheels



Scrubber Bogies

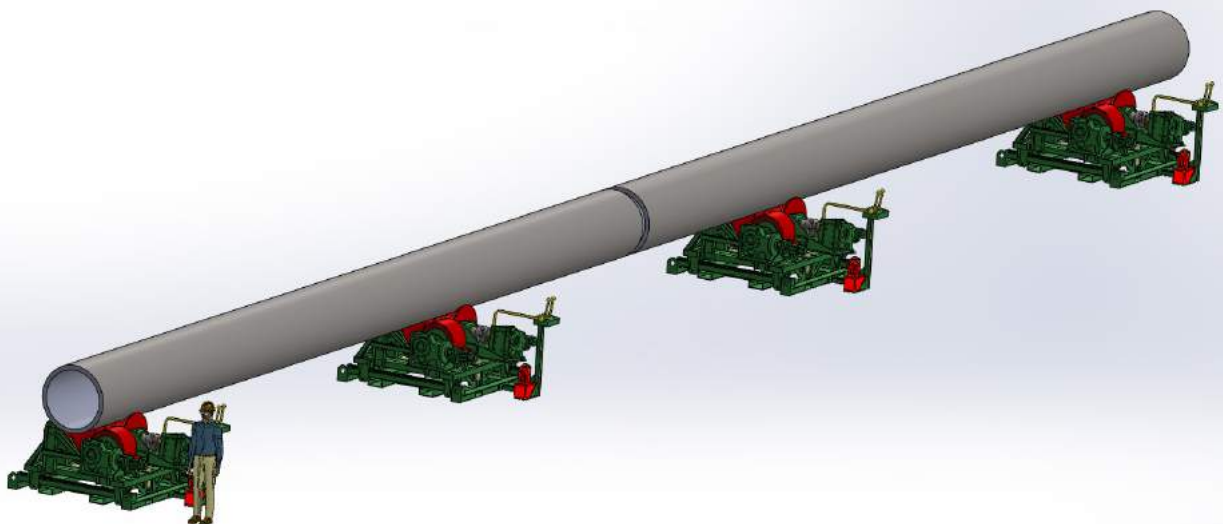
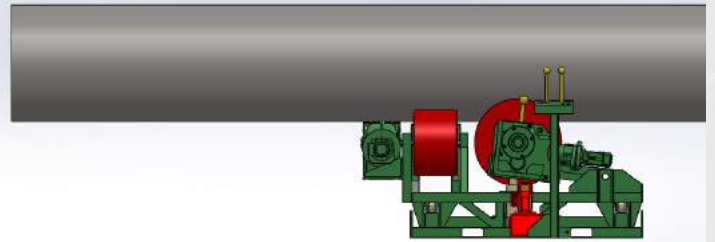
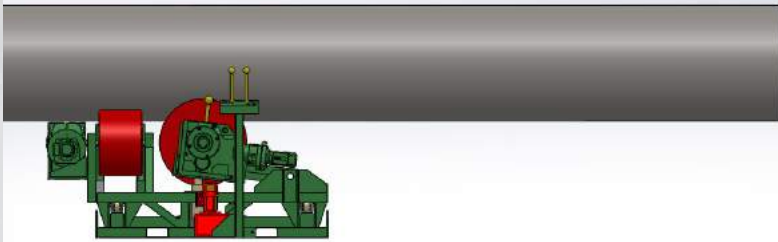
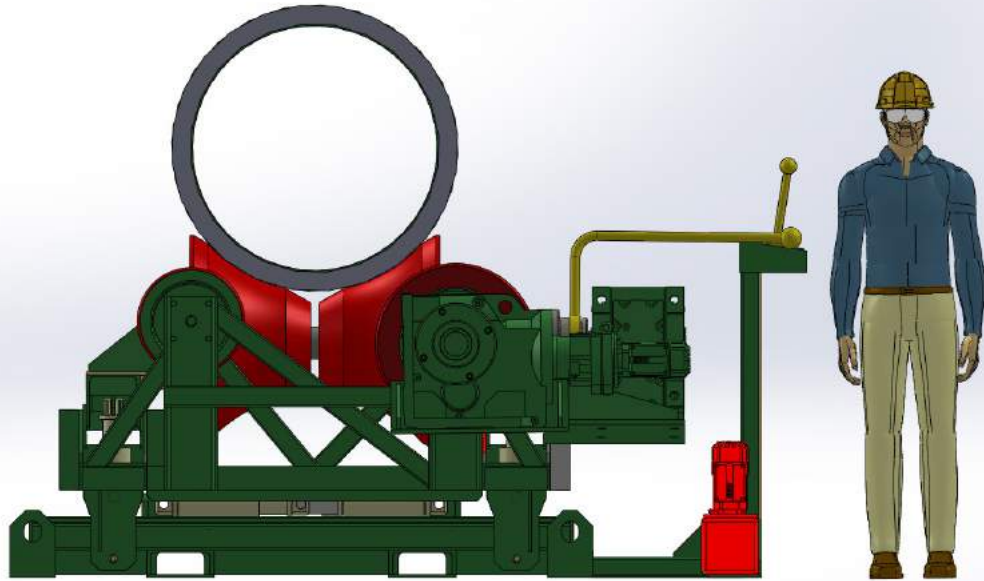
Complete bolt on solution for mobilisation of 25 ton air filtration machines for air scrubbing (dust removal) for underground motorway tunnelling works.



Complete Heavy Duty Semi-Automatic Pipe Alignment Machinery

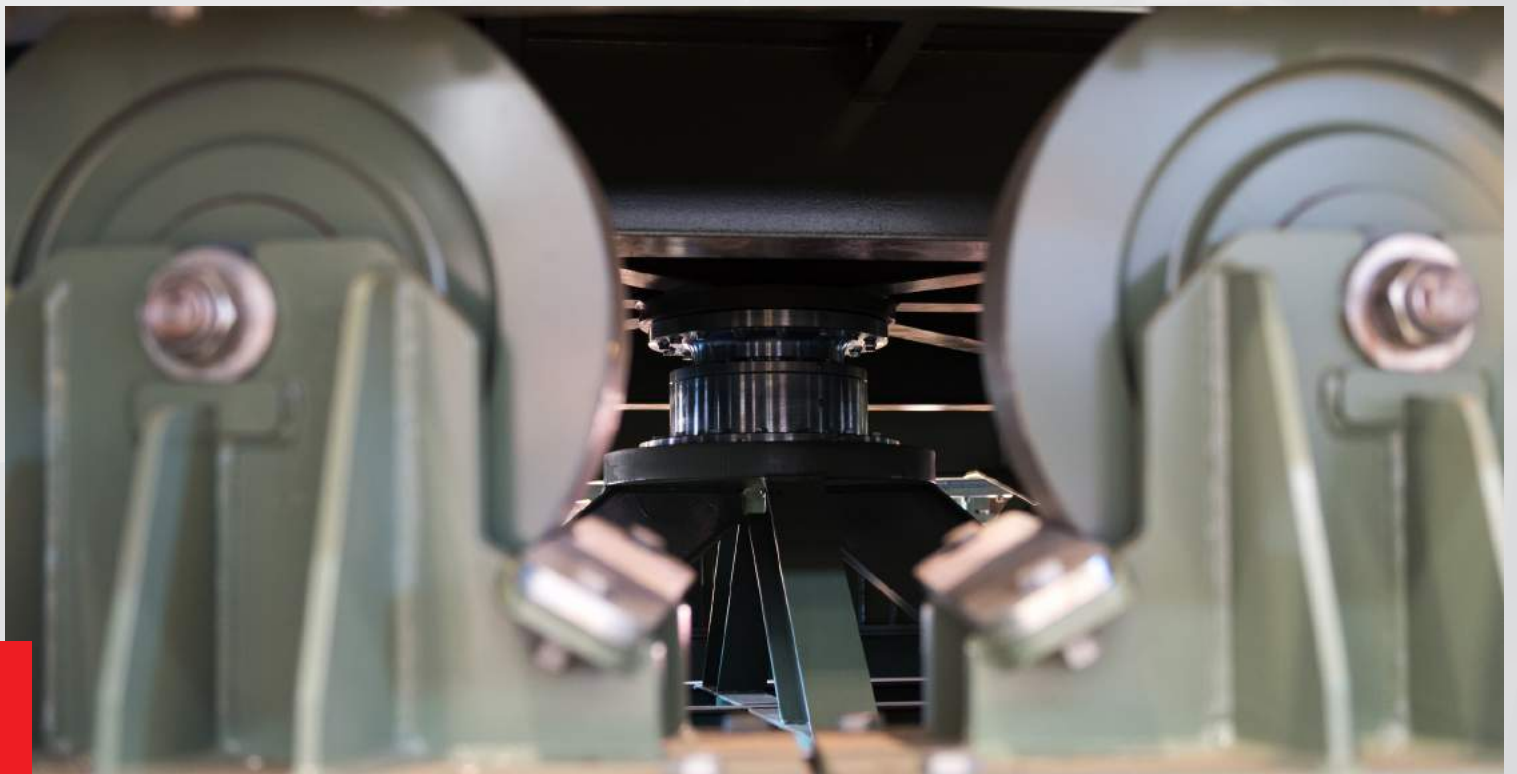
Used for high productivity long pipeline welding. Hydraulically driven pipe lift, lowering and side shift functions with electric gear motors for rotation and linear transfer function. The machinery is designed for high accuracy pipe alignment (concentricity and parallel) as well as rotational functions for internal coating/coating checking. As a growing pipeline is welded together the machinery transfers the growing pipe length forwards and brings another pipe towards the welding area for alignment, welding and pipeline growth.

Custom designed solutions for high productivity long pipeline creation to suit any pipeline diameter, final length, coating and welding method.





Australian Turntable Company



AVAILABLE EQUIPMENT ● ○ ●

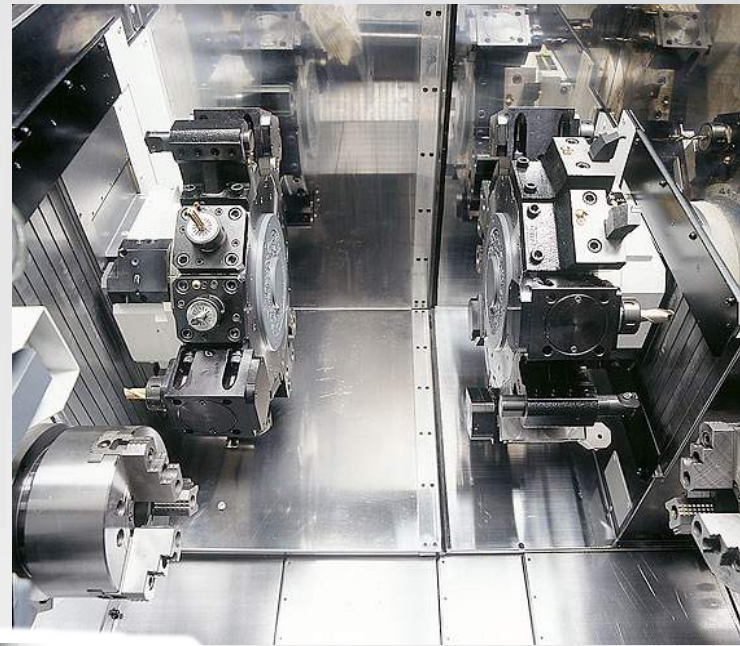
CNC EQUIPMENT

All CNC machinery are compatible with machining software allowing CNC programming to be done directly from approved 3D product models. This gives us the flexibility to quickly move from drawings to machining with total accuracy.

CT250 lathe

Nacamura-Tome tw20

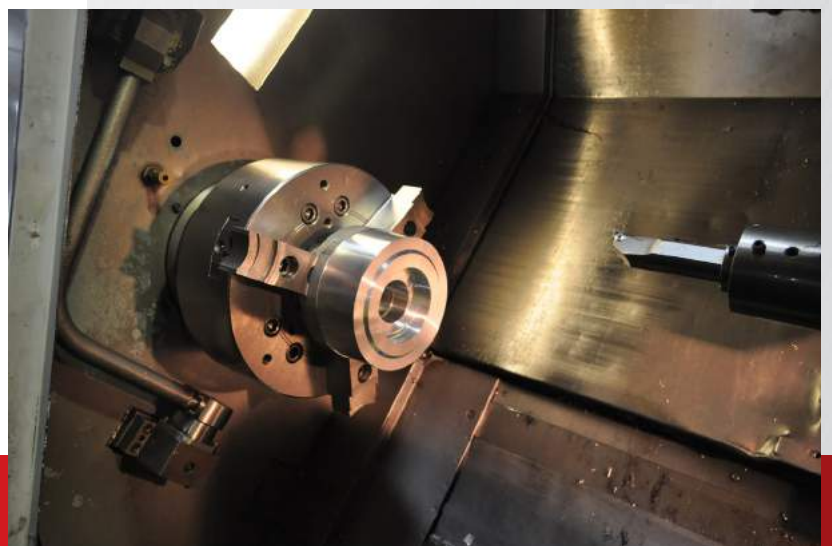
Twin turret twin spindle machine with live tooling and 1200mm bar feeder (up to 60mm bar stock). Ideal for complete small part machining in large and small quantities.





Nakamura SC450 heavy duty lathe

Single spindle, single turret with tail stock. 500mm swing x 750mm length capacity with 90mm through spindle. Suited for heavy rough turning and boring of all steel, iron and stainless steels as well as general high precision finishing.



Puma 400

General purpose lathe 400mm swing
1000mm z axis with tail stock and 90mm
through spindle.



Lynx 220

Doosan 250 lathe fitted with 1200mm long
(up to 75mm) bar feeder. Turning diameter
up to 400mm. 600mm z axis.



Machining Centres

Doosan V430

Doosan V430 twin pallet machining centre 2x 500x500 working tables with high speed spindle. Ideal for high production drill and tap.



Mynx 540

Mynx 540 3 axis machining centre with 4 axis indexing chuck. Machine bed 1000mm x 550mm. High speed full 4 axis machine for general machining centre work, drilling, slotting 3-4axis profiling and mould making.





After over 60 years of manufacturing in Australia we have an established manufacturing partnership network covering all the machinery you could ever need. We can organise the build of virtually any machined and/or fabricated product for your project.

Readily Available Alternative Machinery



ENGINEERING SERVICES

CONTACT OUR ENGINEERING TEAM
FOR MORE INFORMATION ON HOW
RICHMOND CAN HELP DESIGN THE
PERFECT SOLUTION FOR YOU.



1300 474 246 engineering@richmondau.com