

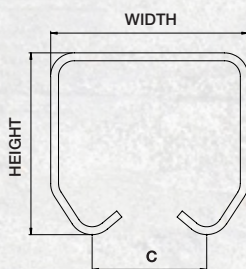
# HANGING GATE & DOOR HARDWARE



## HANGING CHANNEL

A range of Hanging Gate Channels to suit our range of Hanging Gate 2 Wheel Roller Sets, Hanging Gate 4 Wheel Roller Sets, and Hanging Gate Channel Brackets (both roof and wall mount).

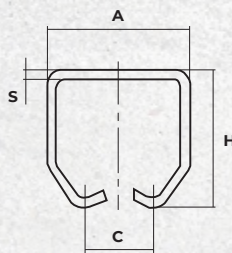
Suitable for use in the installation of hanging door/gate hardware in industrial, commercial, and residential environments.



Length (m)	C (mm)	Height (mm)	Width (mm)	Fits Hanging Channel Bracket (Roof Mount)	Fits Hanging Channel Bracket (Wall Mount)	Part No.
2.8	20	32	35	GTR075	GTR073	<b>GTR148</b>
5.8	20	32	35	GTR075	GTR073	<b>GTR071</b>
2.8	29	46	50	GTR041	GTR042	<b>GTR149</b>
5.8	29	46	50	GTR041	GTR042	<b>GTR040</b>
2.8	34	67	60	GTR076	GTR074	<b>GTR150</b>
5.8	34	67	60	GTR076	GTR074	<b>GTR072</b>

## HANGING CHANNEL TRACK JOINER

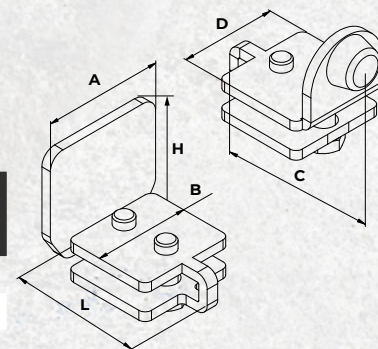
Available to suit each channel size, the track joiners are used to join two lengths of hanging gate track together.



L (mm)	H (mm)	A (mm)	C (mm)	S (mm)	Part No.	Channel to suit
160	45	46	20	4	<b>GTR151</b>	35mm Channel GTR071 (5.8m), GTR148 (2.8m)
160	59	61	29	4	<b>GTR152</b>	50mm Channel GTR040 (5.8m), GTR149 (2.8m)
160	79	71	34	4	<b>GTR153</b>	60mm Channel GTR072 (5.8m), GTR150 (2.8m)

## HANGING CHANNEL END CAP & STOP

Available suit each channel size, these parts stop the hanging rollers from rolling out past the edge of the channel.



A (mm)	B (mm)	C (mm)	D (mm)	H (mm)	L (mm)	Part No.	Channel to suit
35	25	67	25	45	56	<b>GTR166</b>	35mm Channel GTR071 (5.8m), GTR148 (2.8m)
50	40	62	40	60	58	<b>GTR167</b>	50mm Channel GTR040 (5.8m), GTR149 (2.8m)
60	45	62	45	80	56	<b>GTR168</b>	60mm Channel GTR072 (5.8m), GTR150 (2.8m)

# HANGING GATE & DOOR HARDWARE



## HANGING 2 WHEEL ROLLER SET

These rollers move your door/gate smoothly along the hanging gate channel. Available to suit each channel width these rollers feature a threaded base, and can handle capacities ranging from 70 - 350kg.



Wheel Diameter (mm)	Thread	H1 (mm)	H (mm)	C (mm)	Capacity (kg)	Part No.	Channel to suit
25	M8	39	71.5	20	70	<b>GTR080</b>	35mm Channel GTR071 (5.8m), GTR148 (2.8m)
38	M12	68	124	22	130	<b>GTR081</b>	50mm Channel GTR040 (5.8m), GTR149 (2.8m)
55	M20	87	167	31	350	<b>GTR082</b>	60mm Channel GTR072 (5.8m), GTR150 (2.8m)

## HANGING 4 WHEEL ROLLER SET

Sturdier than the 2 wheel rollers, these 4 wheel rollers feature a mounting plate to make the process of attaching the roller to the frame of your door/gate simple.



Wheel Diameter (mm)	Thread	H1 (mm)	H (mm)	C (mm)	Capacity (kg)	Part No.	Channel to suit
25	M8	39	71.5	20	130	<b>GTR068</b>	35mm Channel GTR071 (5.8m), GTR148 (2.8m)
38	M12	68	124	29	190	<b>GTR069</b>	50mm Channel GTR040 (5.8m), GTR149 (2.8m)
55	M20	87	167	34	460	<b>GTR070</b>	60mm Channel GTR072 (5.8m), GTR150 (2.8m)

# HANGING GATE & DOOR HARDWARE



## HANGING CHANNEL BRACKET (WALL MOUNT)

Available to suit each channel width these brackets feature a back plate for mounting the hanging roller channel flat against the wall.



A (mm)	C (mm)	H (mm)	H1 (mm)	L (mm)	Part No.	Channel to Suit
46	20	50	50	60	<b>GTR073</b>	35mm Channel GTR071 (5.8m), GTR148 (2.8m)
62	29	64	50	70	<b>GTR042</b>	50mm Channel GTR040 (5.8m), GTR149 (2.8m)
71	34	85	50	80	<b>GTR074</b>	60mm Channel GTR072 (5.8m), GTR150 (2.8m)

## HANGING CHANNEL BRACKET (ROOF MOUNT)

Available to suit each channel width these brackets feature a top facing plate that attaches flat to your roof and holds the hanging roller channel in place.



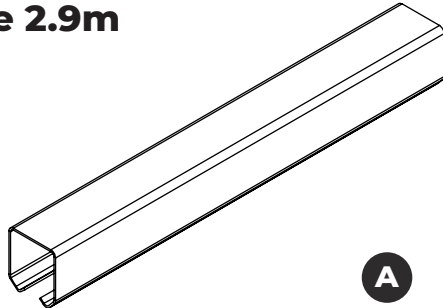
A (mm)	B (mm)	H (mm)	L (mm)	Part No.	Channel to Suit
52	7	48	110	<b>GTR075</b>	35mm Channel GTR071 (5.8m), GTR148 (2.8m)
71	11.5	71	120	<b>GTR041</b>	50mm Channel GTR040 (5.8m), GTR149 (2.8m)
120	14	86	130	<b>GTR076</b>	60mm Channel GTR072 (5.8m), GTR150 (2.8m)

# HANGING GATE & DOOR PARTS SETUP



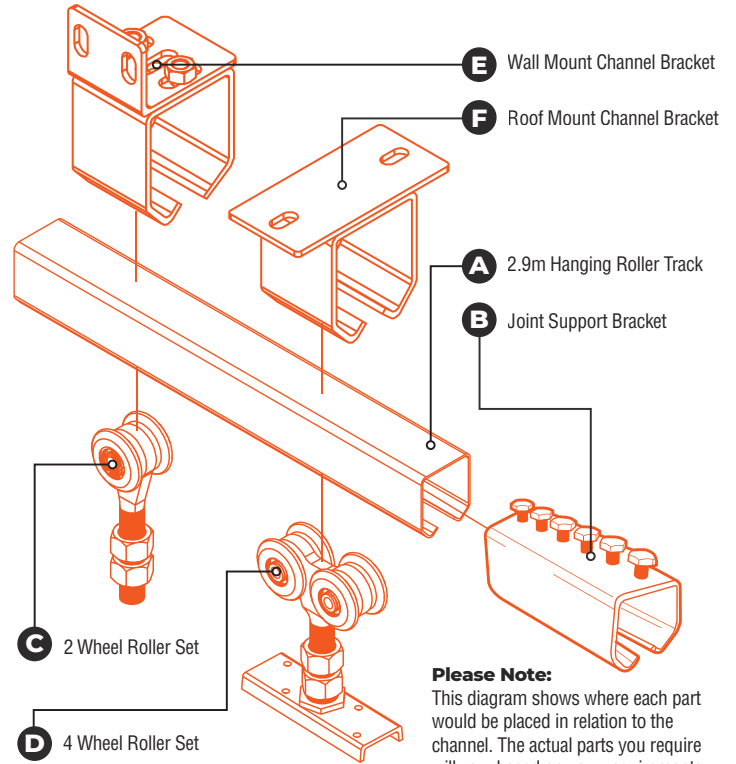
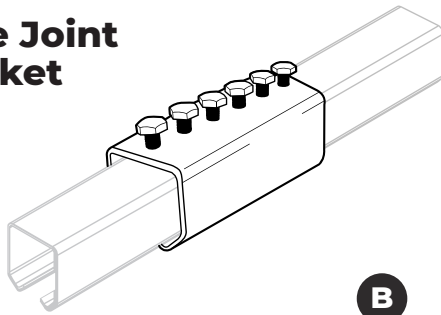
## Hanging Gate 2.9m Roller Track

Available in 3 sizes (35mm, 50mm, and 60mm wide) to accommodate large and higher capacity rollers and door/gate frames.



## Hanging Gate Joint Support Bracket

Available to suit each channel width, these support brackets are used to join two lengths of hanging gate track together.

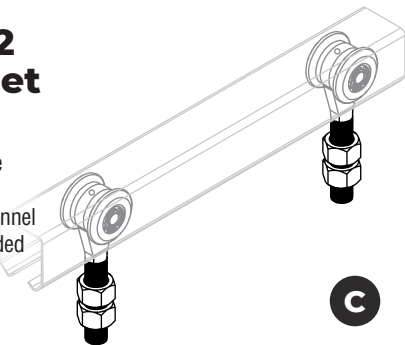


**Please Note:** This diagram shows where each part would be placed in relation to the channel. The actual parts you require will vary based on your requirements.

## ROLLER TYPES

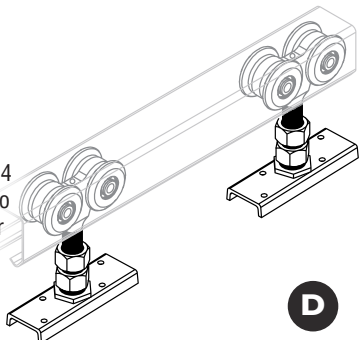
### Hanging Gate 2 Wheel Roller Set

These rollers move your door/gate smoothly along the hanging gate channel. Available to suit each channel width these rollers feature a threaded base, and can handle capacities ranging from 70 - 350kg.



### Hanging Gate 4 Wheel Roller Set

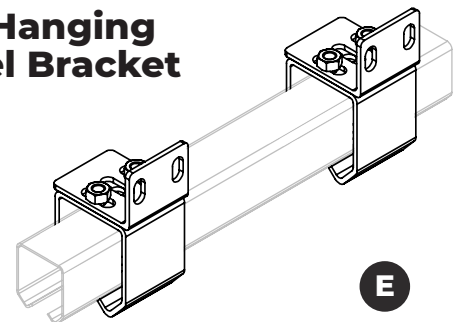
Sturdier than the 2 wheel rollers, these 4 wheel rollers feature a mounting plate to make the process of attaching the roller to the frame of your door/gate simple! These rollers are suitable for capacities ranging from 130 - 460kg.



## BRACKET TYPES

### Wall Mount Hanging Gate Channel Bracket

Available to suit each channel width these brackets feature a back plate for mounting the hanging roller channel flat against the wall.



### Roof Mount Hanging Gate Channel Bracket

Available to suit each channel width these brackets attach flat to your roof and hold the hanging roller channel in place.

