

Stainless Excel PLATE CASTORS



S4144B



S4114



S5142B

**SUITABLE FOR WET ENVIRONMENTS
FULL STAINLESS CONSTRUCTION**

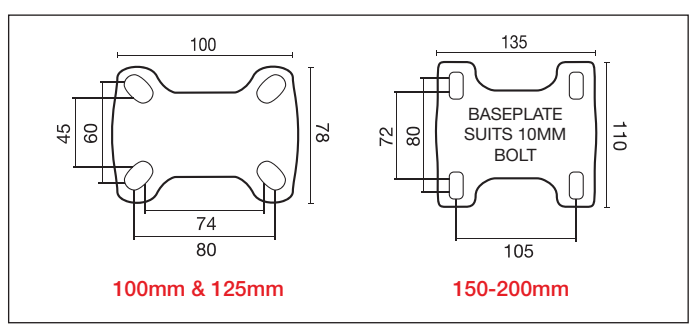


Diameter (mm)	Width (mm)	Wheel Type	Wheel Code	Bearing Type	Load Capacity	Height (mm)	Swivel Radius	With Brake	Rigid Code	Swivel Code
100	35	Reb Poly	RP4072	SS Roller	140/100	133	92	115	R4145	S4144
100	35	Nylon	NY401	Plain	200/150	133	92	115	R4143	S4142
100	36	Aluminium	AL473	Plain	180/150	133	92	-	R4115	S4114 *
100	36	Aluminium	AL474	Plain	180/150	133	92	-	R4141	S4140
100	35	GF Nylon	GF412	Plain	200/150	133	92	115	R4139	S4138
125	35	Reb Poly	RP5072	SS Roller	180/150	158	158	120	R5145	S5144
125	35	Nylon	NY501	Plain	200/150	158	158	120	R5143	S5142
150	50	Reb Poly	RP6072	SS Roller	300/250	187	127	150	R6145	S6144
150	50	Nylon	NY652	Plain	300/250	187	127	150	R6143	S6142
150	50	Nylon	NY655	SS Roller	300/250	187	127	150	R6141	S6140
200	50	Reb Poly	RP8072	SS Roller	300/250	237	156	150	R8145	S8144
200	45	Nylon	NY800	Plain	380/350	237	156	150	R8143	S8142
200	50	Nylon	NY802	SS Roller	380/350	237	156	150	R8141	S8140
200	43	GF Nylon	GF800	Plain	400/300	237	156	150	R8149	S8148

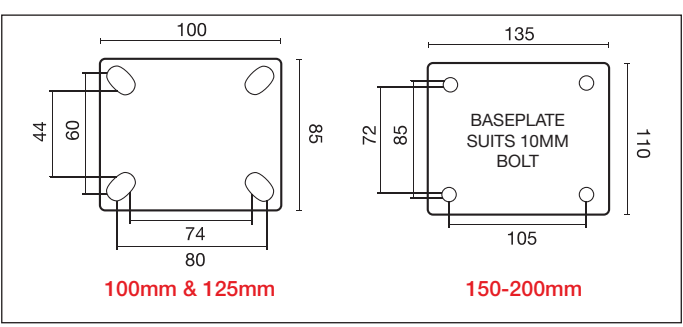


BRAKE OPTIONS: B = Brake To order castors with Brake add B to end of swivel code e.g. S5144B *S4114 not available with brake

indicates castors suited to high/low temperature applications.
Part numbers denoted in red indicate M2 Baseplate. Part numbers denoted in black indicate M3 Baseplate



Standard baseplate dimensions & drilling patterns for Rigid Stainless Steel Excel castors



Standard baseplate dimensions & drilling patterns for Swivel Stainless Steel Excel castors