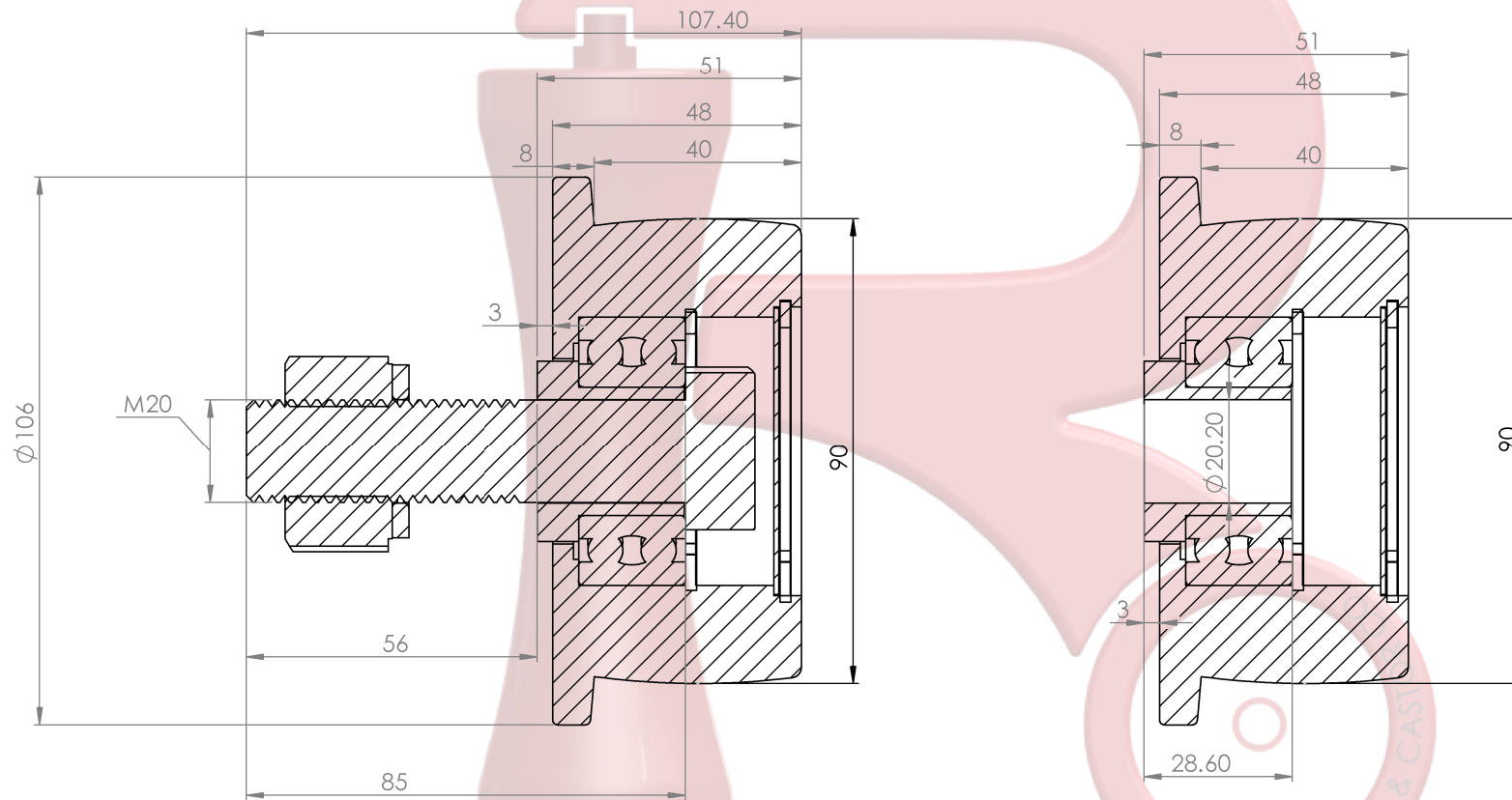


As supplied with standard  
M20x85 8.8 commercial bolt

Dimensions without bolt  
"Size your M20 8.8 bolt length  
to suit your application"



Capacity: 600kg

CUSTOMER APPROVAL:

COMPANY:

SALES PERSON:

NAME:

SIGN:

DATE:

DO NOT SCALE DRAWING

REVISION

FINISH:

**PROPRIETARY AND CONFIDENTIAL**  
THE INFORMATION CONTAINED IN THIS DRAWING  
IS THE SOLE PROPERTY OF  
Richmond Wheel & Castor Co.  
ANY REPRODUCTION IN PART OR AS A WHOLE WITHOUT  
THE WRITTEN PERMISSION OF  
Richmond Wheel & Castor Co.  
IS PROHIBITED.

	NAME	SIGNATURE	DATE
DRAWN	BREON	BWM	8/11/2019
CHK'D	S*	SY	8/11/2019
APP'VD	RAY	RW	8/11/2019
MFG	SY	SY	8/11/2019
Q.A	BARRY	BN	8/11/2019
UNLESS OTHERWISE SPECIFIED: DIMENSIONS ARE IN MILLIMETERS TOLERANCES TO C.25MM		DEBUR AND BREAK SHARP EDGES	



WEIGHT:

TITLE:

**RICHMOND WHEEL &  
CASTOR CO.**

DWG NO.

**BTSF90X40M20**

A3

SHEET 3 OF 11