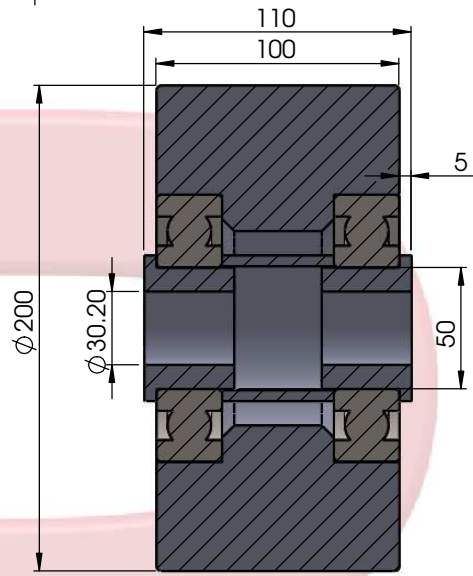
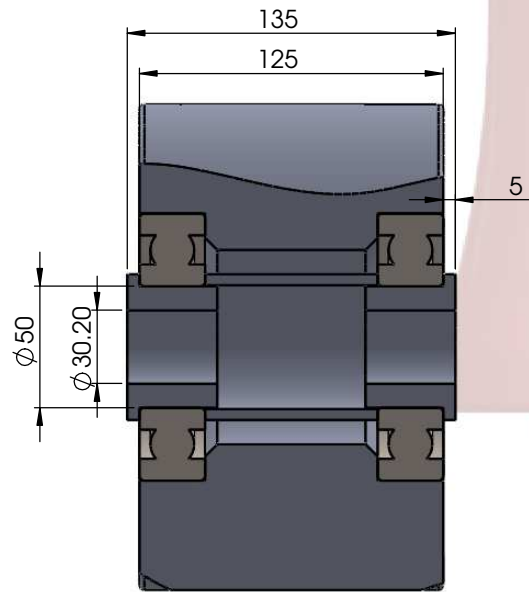


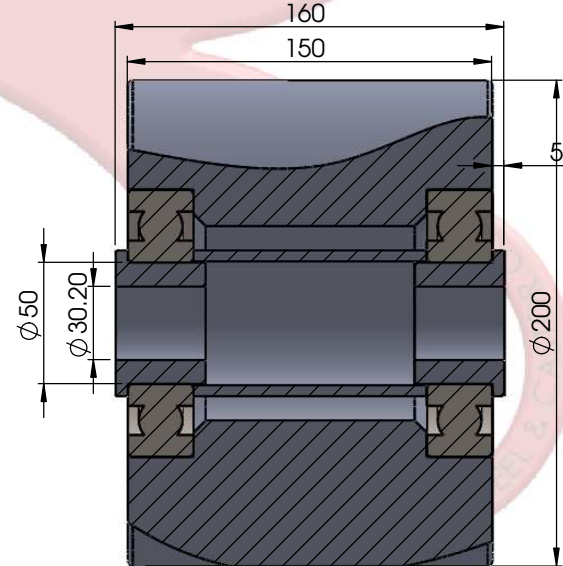
ST1200X75



ST200X100



ST200X125



ST200X150

PROPRIETARY AND CONFIDENTIAL
 THE INFORMATION CONTAINED IN THIS DRAWING IS THE SOLE PROPERTY OF Richmond Wheel & Castor Co. ANY REPRODUCTION IN PART OR AS A WHOLE WITHOUT THE WRITTEN PERMISSION OF Richmond Wheel & Castor Co. IS PROHIBITED.

	NAME	SIGNATURE	DATE
DRAWN	BREON	BWM	10/10/2019
CHK'D	SY	SY	10/10/2019
APP'VD	RAY	RW	10/10/2019
MFG	SY	SY	10/10/2019
Q.A	BARRY	BN	10/10/2019
UNLESS OTHERWISE SPECIFIED: DIMENSIONS ARE IN MILLIMETERS TOLERANCES TO 0.25MM		DEBUR AND BREAK SHARP EDGES	



CUSTOMER APPROVAL:

COMPANY:		
SALES PERSON:		
NAME:		
SIGN:		
DATE:		
DO NOT SCALE DRAWING	REVISION	FINISH:

TITLE:
**RICHMOND WHEEL &
 CASTOR CO.**

DWG. NO. **SOLID STEEL WHEELS 200MM** A3

WEIGHT:

SHEET 1 OF 1