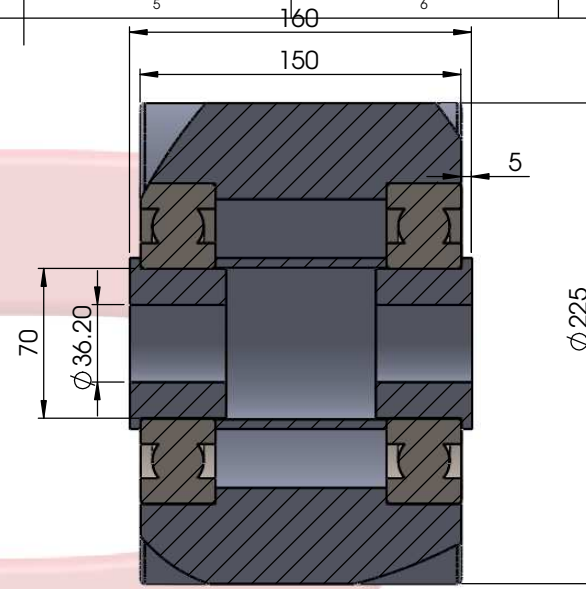
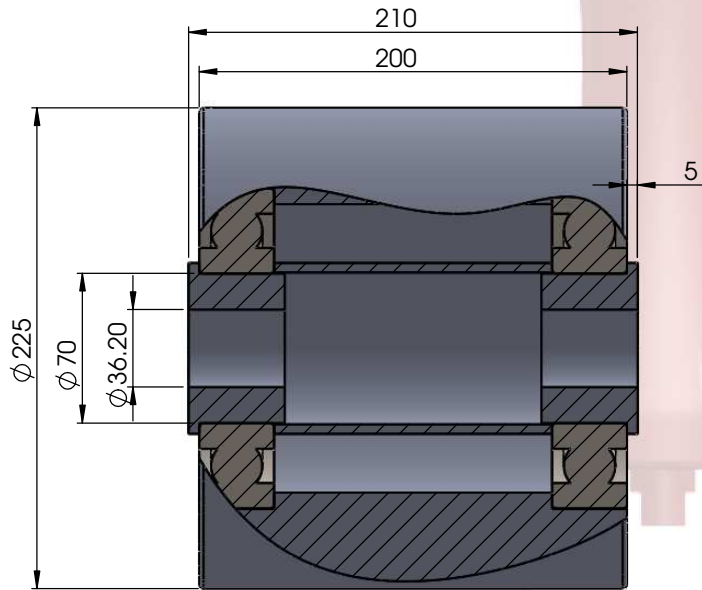


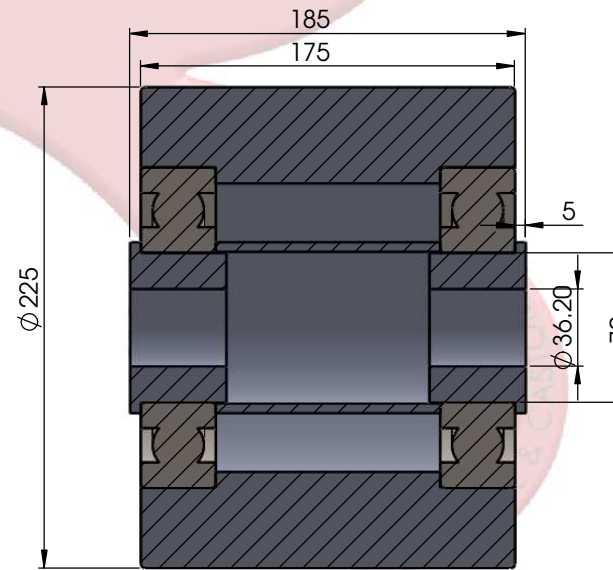
ST1225X75



ST225X150



ST225X200



ST225X175

**PROPRIETARY AND CONFIDENTIAL**  
 THE INFORMATION CONTAINED IN THIS DRAWING IS THE SOLE PROPERTY OF Richmond Wheel & Castor Co. ANY REPRODUCTION IN PART OR AS A WHOLE WITHOUT THE WRITTEN PERMISSION OF Richmond Wheel & Castor Co. IS PROHIBITED.

	NAME	SIGNATURE	DATE
DRAWN	BREON	BWM	10/10/2019
CHK'D	SY	SY	10/10/2019
APP'VD	RAY	RW	10/10/2019
MFG	SY	SY	10/10/2019
Q.A	BARRY	BN	10/10/2019
UNLESS OTHERWISE SPECIFIED: DIMENSIONS ARE IN MILLIMETERS TOLERANCES TO 0.25MM		DEBUR AND BREAK SHARP EDGES	



**CUSTOMER APPROVAL:**

COMPANY: \_\_\_\_\_  
 SALES PERSON: \_\_\_\_\_  
 NAME: \_\_\_\_\_  
 SIGN: \_\_\_\_\_  
 DATE: \_\_\_\_\_

DO NOT SCALE DRAWING	REVISION	FINISH:
----------------------	----------	---------

TITLE:  
**RICHMOND WHEEL & CASTOR CO.**

DWG. NO. **SOLID STEEL WHEELS 225MM** A3

WEIGHT:

SHEET 1 OF 1