

# Adjustable Stainless Steel Catering Legs



Made to suit catering equipment such as display fridges, preparation tables, and bain maries, these stainless steel legs can be used in a wide range of hospitality based applications. Richmond's stainless steel adjustable catering legs are interchangeable with leading manufacturers.

Catering legs allow for easy access under equipment to ensure a clean and hygienic environment. A simple to adjust design allows for the quick and accurate levelling of your bench or fridge, whilst providing stability.

Designed for easy installation when incorporated with the matching thread baseplate available in 304 stainless steel and zinc plated mild steel.

**All steel components of the catering legs are made of 304 stainless steel with a heavy duty welded thread for added strength.**

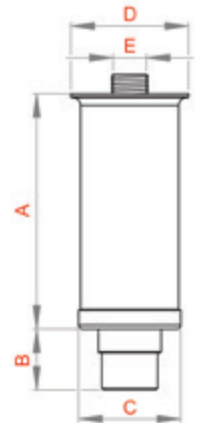


REFADJLEG146



CATERLEG200  
(with CATERPLATEZP Baseplate)

Height (A)	Adjustment Height (B)	Tube Diameter (C)	Flange (D)	Thread (E)	Load Capacity	Product Code
130mm	130-147mm	50mm	60mm	3/4" BSW	400kg	REFADJLEG146
75mm	100-125mm	51mm	60mm	3/4" BSW	400kg	CATERLEG100
100mm	125-150mm	51mm	60mm	3/4" BSW	400kg	CATERLEG125
115mm	115-150mm	51mm	60mm	3/4" BSW	400kg	CATERLEG150
175mm	200-225mm	51mm	60mm	3/4" BSW	400kg	CATERLEG200
225mm	250-275mm	51mm	60mm	3/4" BSW	400kg	CATERLEG250



9mm

REFADJLEG146 has a thread that extends 9mm above the flange. All of the other models sit flat once a baseplate is threaded on.



CATERLEG100



CATERLEG150



CATERLEG200

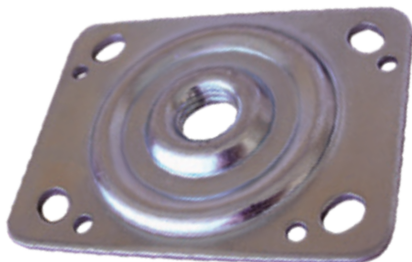


CATERLEG250

# Threaded Base Plates

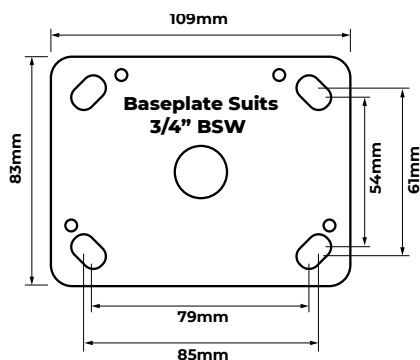


Threaded base plates Allow for easy installation of castors or adjustable legs. Simply weld or bolt the plate into position, select the castor or adjustable leg and screw into place.



## REFPLT10983

Compatible with New Zealand style SKOPE brand display fridge units and bain maries. Plate is in zinc plated mild steel



9mm

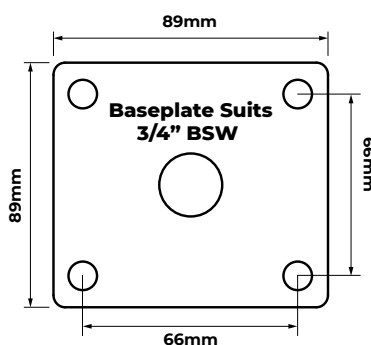
### REFADJLEG146

has a thread that extends 9mm above the flange. All of the other models sit flat once a baseplate is threaded on.



## CATERPLATEZP

Compatible with major manufacturer display fridges, preparation benches, bain maries, display cabinets etc. This baseplate is made from zinc plated mild steel.



## CATERPLATESS

Compatible with major manufacturer display fridges, preparation benches, bain maries, display cabinets etc. This baseplate is made from grade 304 stainless steel.

