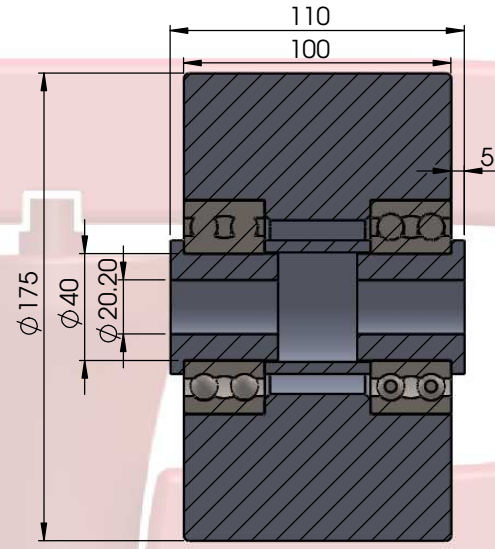
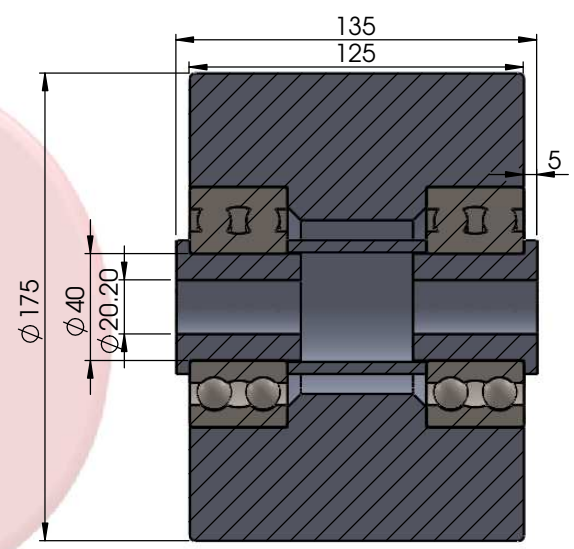


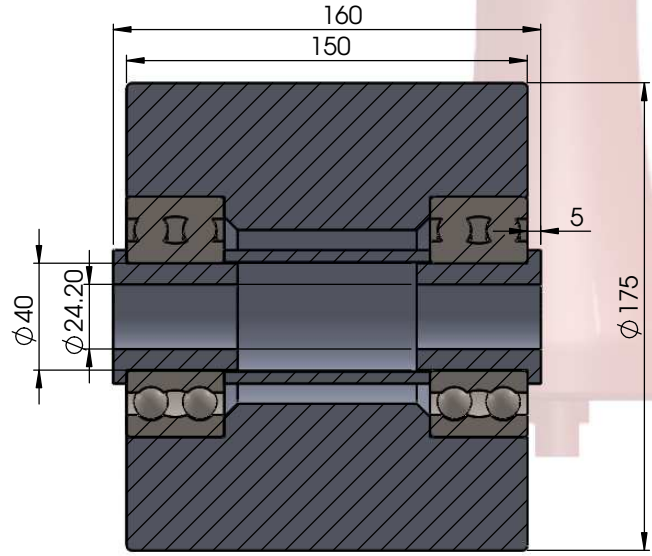
ST175X75



ST175X100



ST175X125



ST175X150

PROPRIETARY AND CONFIDENTIAL
 THE INFORMATION CONTAINED IN THIS DRAWING IS THE SOLE PROPERTY OF Richmond Wheel & Castor Co. ANY REPRODUCTION IN PART OR AS A WHOLE WITHOUT THE WRITTEN PERMISSION OF Richmond Wheel & Castor Co. IS PROHIBITED.

	NAME	SIGNATURE	DATE
DRAWN	BREON	BWM	9/10/2019
CHK'D	SY	SY	9/10/2019
APP'VD	RAY	RW	9/10/2019
MFG	SY	SY	9/10/2019
Q.A	BARRY	BN	9/10/2019

UNLESS OTHERWISE SPECIFIED:
 DIMENSIONS ARE IN MILLIMETERS
 TOLERANCES TO 0.25MM

DEBUR AND
 BREAK SHARP
 EDGES



CUSTOMER APPROVAL:

COMPANY: _____
 SALES PERSON: _____
 NAME: _____
 SIGN: _____
 DATE: _____

DO NOT SCALE DRAWING	REVISION	FINISH:
----------------------	----------	---------

TITLE:
**RICHMOND WHEEL &
 CASTOR CO.**

DWG. NO. **SOLID STEEL WHEELS 175MM** A3